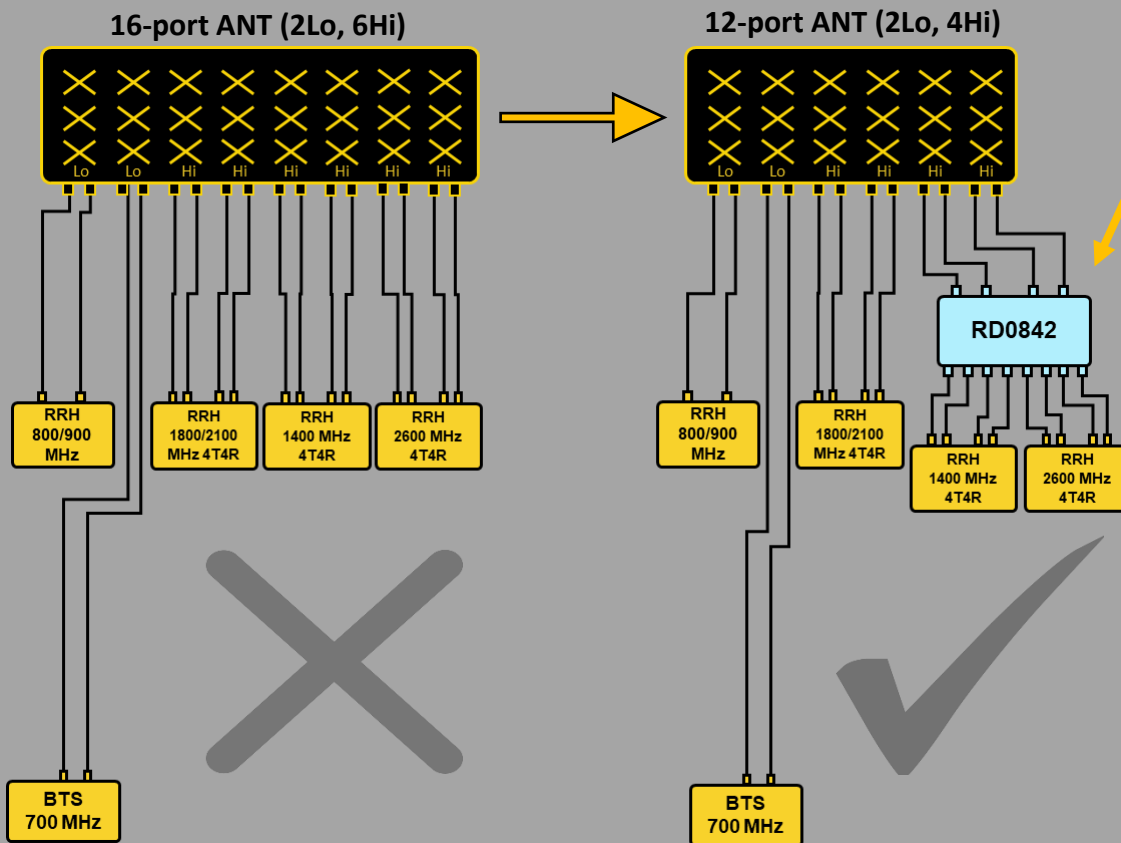




Deploying 1400 MHz SDL

As the 1400 MHz band is deployed, increasing pressure is placed upon already heavily loaded masts. Couple this with a lack of available antenna ports, and it is clear to see new solutions are required. In order to best support our customers, Radio Design have developed a range of products which enable fast, cost-effective deployment of the 1400 MHz SDL band.



RD0842: 1400 / 1800 – 2600 MHz
4x4 Combiner with Auto Bypass™



RD0759: Passive RF Router™ -
Support for 1400 MHz Channel



RD0760: 700 – 800 / 900 / 1400
– 2600 MHz Triplexer with Auto
Bypass™

UPGRADING THE ANTENNA:

- Waste of existing asset
- Expensive
- Increased wind-loading impact
- Mast strengthening required
- Increased visual impact

Vs

UTILISING A COMBINER:

- Fully utilise antenna asset
- Cost effective
- Reduced wind-loading impact
- Fast installation
- Decreased visual impact